

AH-10133-045045 Acoustic Housing Brief

GENERAL INFORMATION

The AH-10133-045045 is a symmetrical 45° FoV horn to use with the MOD_CH101-03-00 ultrasonic sensor module. The MOD_CH101-03-00 sensor module enables rapid integration of Chirp’s CH101 ultrasonic Time-of-Flight (ToF) range sensor into customer enclosures. It is especially useful for prototyping and small-scale production. The module’s electronic interface is via a standard 8-pin flat flex cable (FFC) connector to allow connection to the SmartSonic DK-CH101 development kit.

DEVICE INFORMATION

Part Number	Type	Diameter (mm)		Length (mm)	Field Of View (FoV)	
		Horizontal	Vertical		Horizontal	Vertical
AH-10133-045045	Conical	3	3	1.85	45	45

- CAD file for 3D printing of AH-10133-045045 is available from Chirp Microsystems.
- Recommendations for adhesives, gluing instructions, 3D printing guidelines, and basic verification after installation of AH-10133-045045 see document AN-000209.

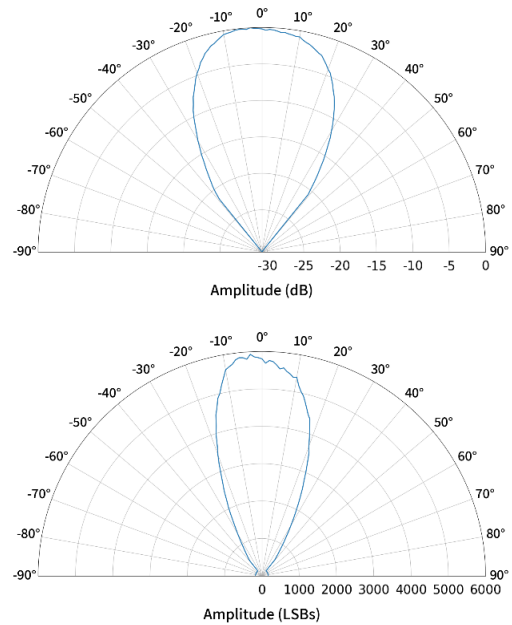
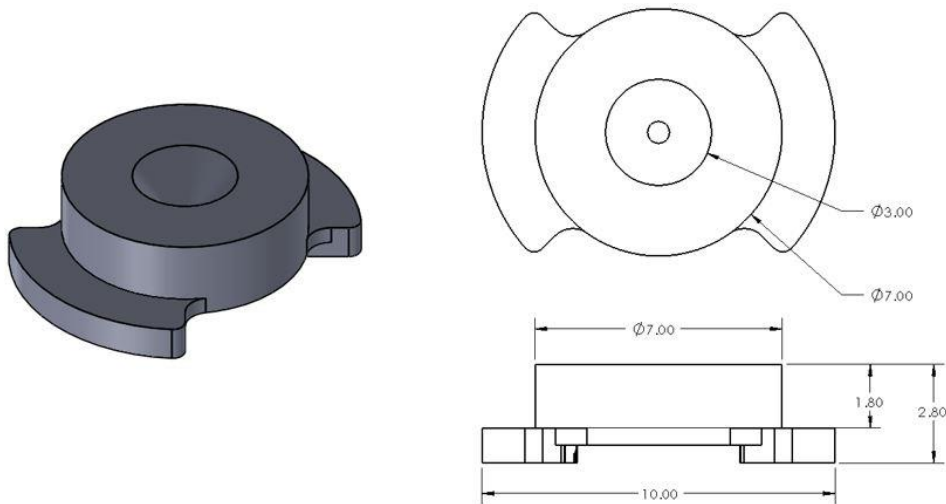


Figure 1: AH-10133-045045 Beam Patterns



Key Dimensions:

- 3.0 mm “mouth” diameter opening
- 0.8 mm “throat” opening
- 2.8 mm total thickness

Figure 2: AH-10133-045045 Acoustic Horn Drawing