

AH-20129-160040 Acoustic Housing Brief

**GENERAL INFORMATION**

The AH-20129-160040 is an asymmetrical horn that is available for the CH201 ultrasonic sensors that modifies the field of view to 160 degrees in the horizontal plane and 40 degrees in the vertical plane.

**DEVICE INFORMATION**

Part Number	Type	Diameter (mm)		Length (mm)	Field Of View (FoV)	
		Horizontal	Vertical		Horizontal	Vertical
AH-20129-160040	Exponential	2	9	5	160	40

- CAD file for 3D printing of AH-20129-160040 is available from Chirp Microsystems.
- Recommendations for adhesives, gluing instructions, 3D printing guidelines, and basic verification after installation of AH-20129-160040 see document AN-000223.

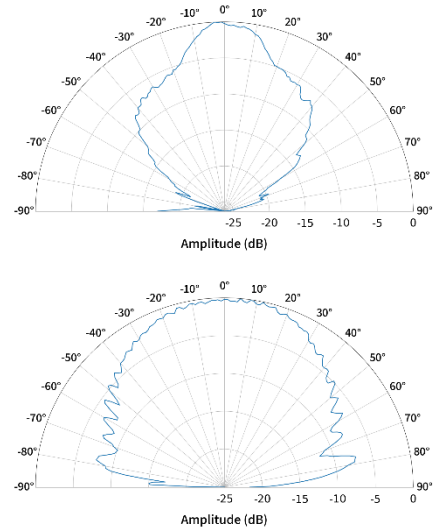


Figure 1: AH-20129-160040 Beam Patterns

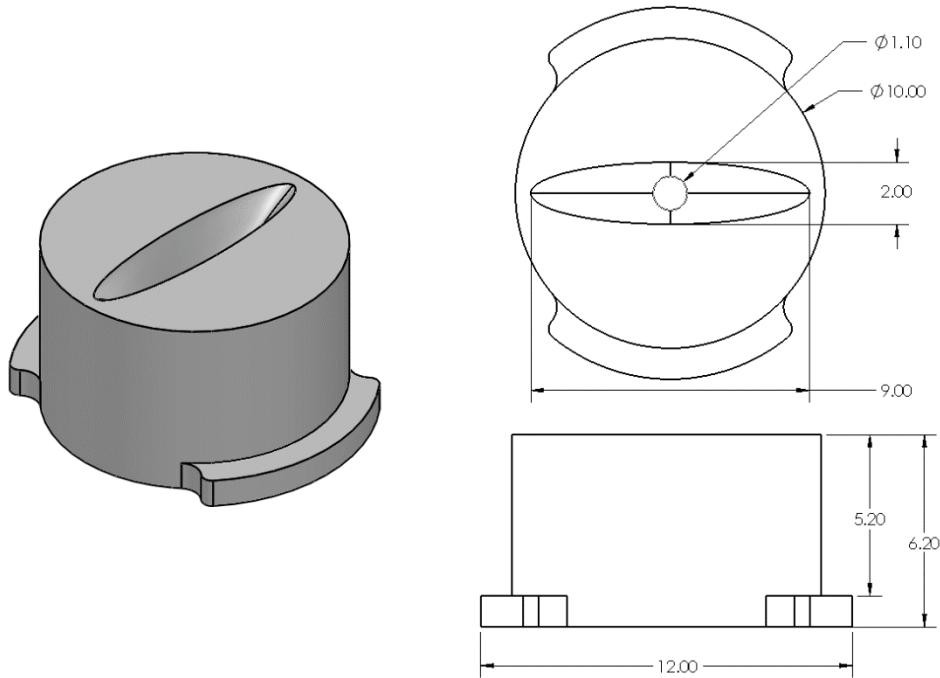


Figure 2: AH-20129-160040 Acoustic Horn Drawing