

AH-10100-180180 Acoustic Housing Brief

GENERAL INFORMATION

The AH-10100-180180 is a symmetrical horn that is available for the CH101 ultrasonic sensor that modifies the field of view to 180 degrees in both the horizontal and vertical plane.

DEVICE INFORMATION

Part Number	Type	Diameter (mm)		Length (mm)	Field Of View (FoV)	
		Horizontal	Vertical		Horizontal	Vertical
AH-10100-180180	Tube	0.7	0.7	0.475	180	180

- CAD file for 3D printing of AH-10100-180180 is available from Chirp Microsystems.
- Recommendations for adhesives, gluing instructions, 3D printing guidelines, and basic verification after installation of AH-10100-180180 see document AN-000223.

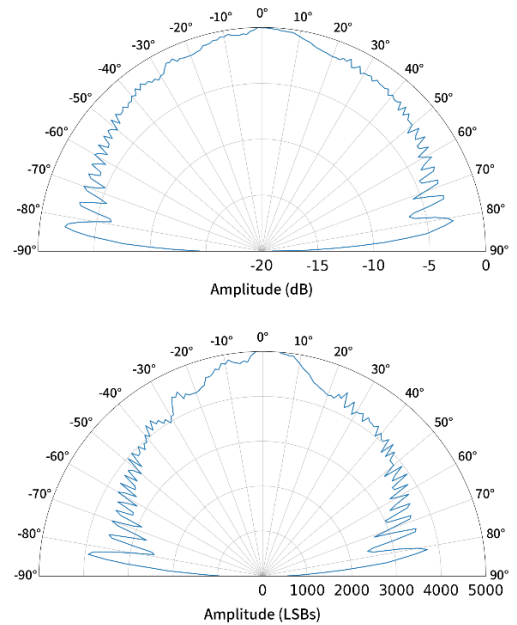


Figure 1: AH-10100-180180 Beam Patterns

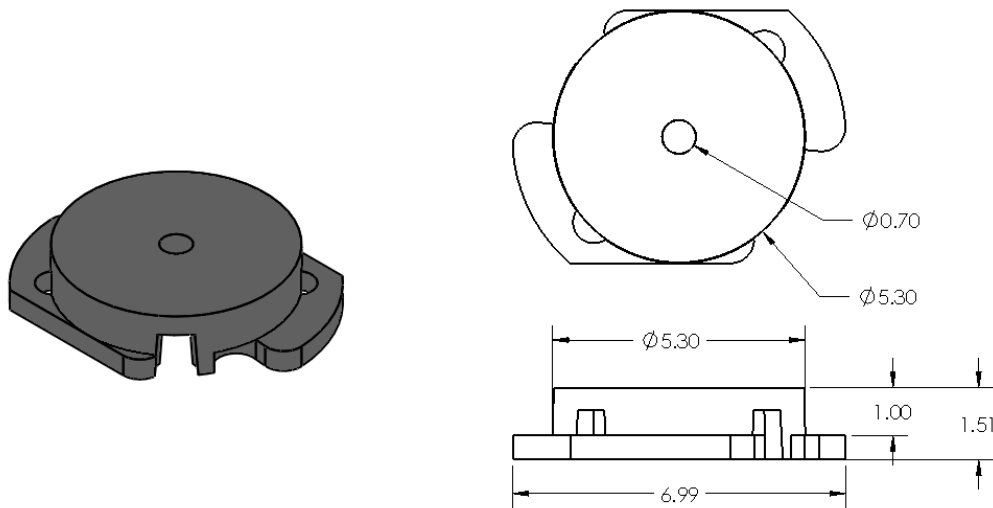


Figure 2: AH-10100-180180 Acoustic Horn Drawing